

Performance certified is for installation type B - free inlet, ducted outlet.
 Power rating (kW) does not include transmission losses.
 Performance ratings do not include the effects of appurtenances (accessories).

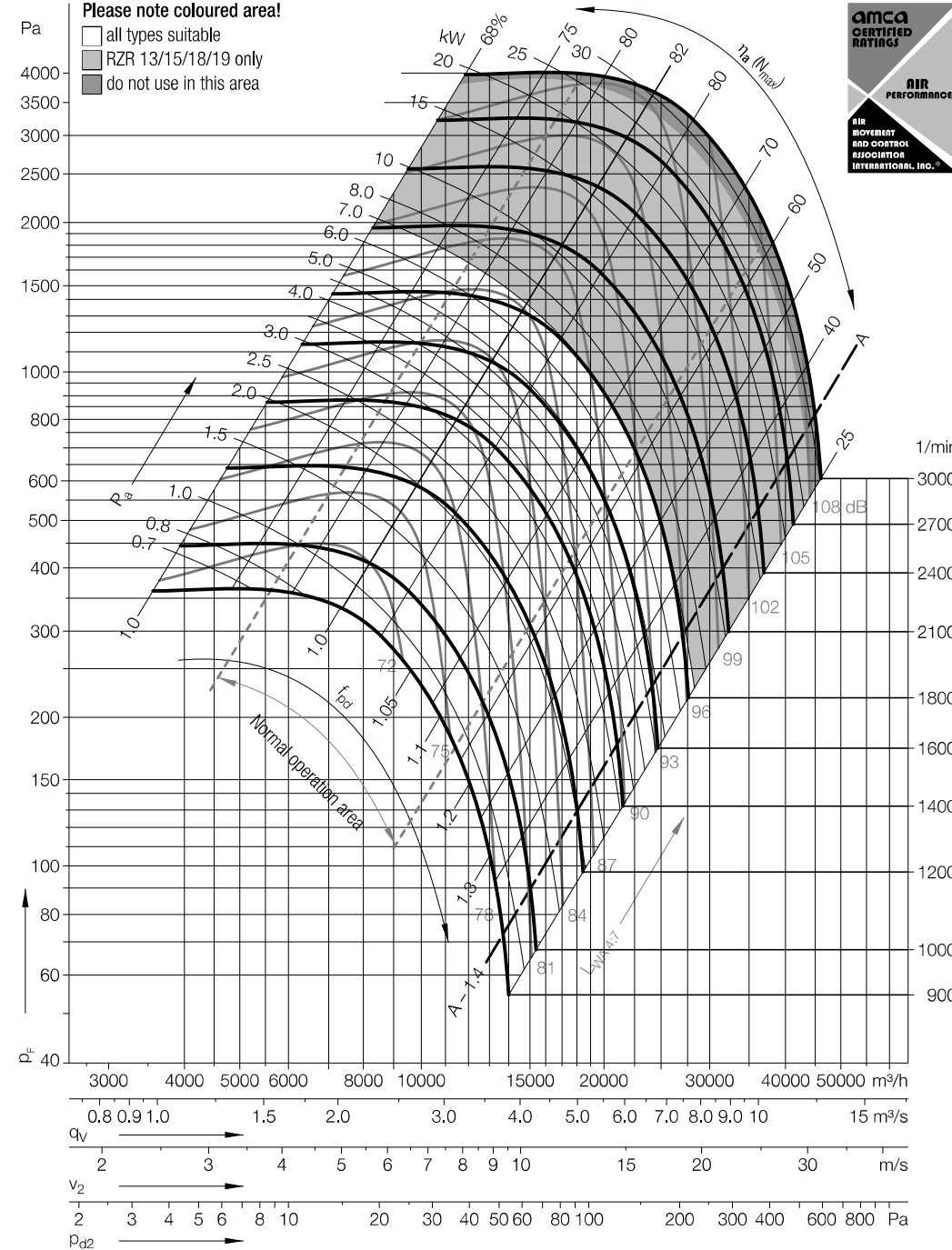
Technical Data

Impeller Data		
Impeller diameter	D_r	510 mm
Number of blades	z	12
Moment of Inertia	J	0,9 kgm ²

Impeller Data		
Impeller weight	m	19,9 kg
Density of media	ρ_1	1,2 kg/m ³
Tolerance class (DIN 24166)		1

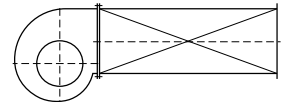
Speed limits N_{max} for ATEX execution		
RZR 11/12	1752	1/min
RZR 18	2000	1/min
RZR 13	2534	1/min

Performance Curves



Nicotra Gebhardt GmbH certifies that the fan shown herein is licensed to bear the AMCA Seal. The ratings shown are based on tests and procedures performed in accordance with AMCA Publication 211 and comply with the requirements of the AMCA Certified Ratings Program. The AMCA Certified Ratings Seal applies to air performance ratings only.

Measured in installation B according to ISO 5801:



Relative sound power level for inlet side L_{Wrel7} at octave centre frequencies f_c

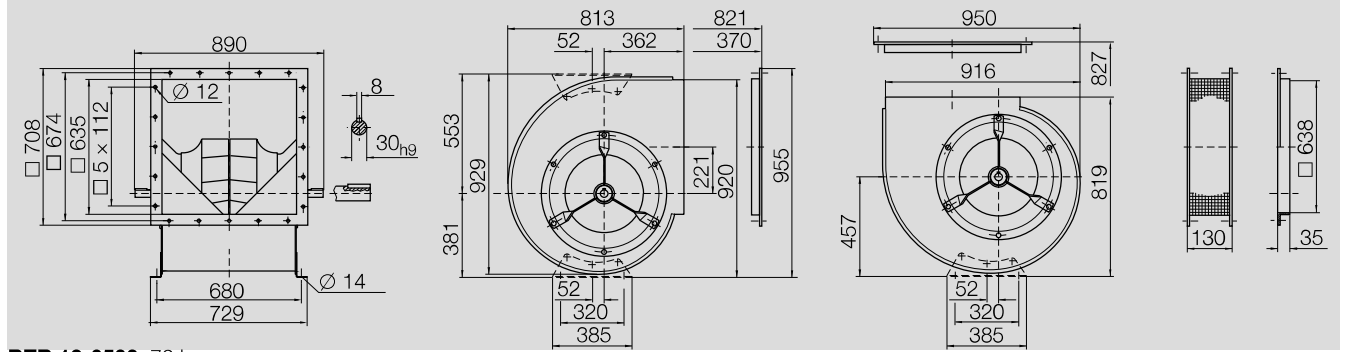
Speed	Duty point	63	125	250	500	1000	2000	4000	8000	Hz
≤1498 1/min	≤0.8 q_{Vopt}	0	2	0	-3	-6	-9	-12	-19	dB
	>0.8-1.2 q_{Vopt}	-2	1	-2	-3	-6	-8	-14	-20	dB
	>1.2-1.6 q_{Vopt}	-3	0	-1	-3	-6	-8	-14	-21	dB
	>1.6-2.0 q_{Vopt}	-5	-3	-3	-3	-6	-7	-13	-21	dB
	>2.0 q_{Vopt}	-5	-3	-3	-3	-6	-7	-13	-21	dB
>1498 1/min	≤0.8 q_{Vopt}	-2	-1	-3	-1	-6	-10	-15	-21	dB
	>0.8-1.2 q_{Vopt}	-7	-4	-5	-1	-6	-9	-14	-21	dB
	>1.2-1.6 q_{Vopt}	-10	-7	-8	-1	-5	-8	-13	-21	dB
	>1.6-2.0 q_{Vopt}	-10	-8	-8	-2	-6	-8	-11	-18	dB
	>2.0 q_{Vopt}	-10	-8	-8	-2	-6	-8	-11	-18	dB

Relative sound power level for discharge side L_{Wrel4} at octave centre frequencies f_c

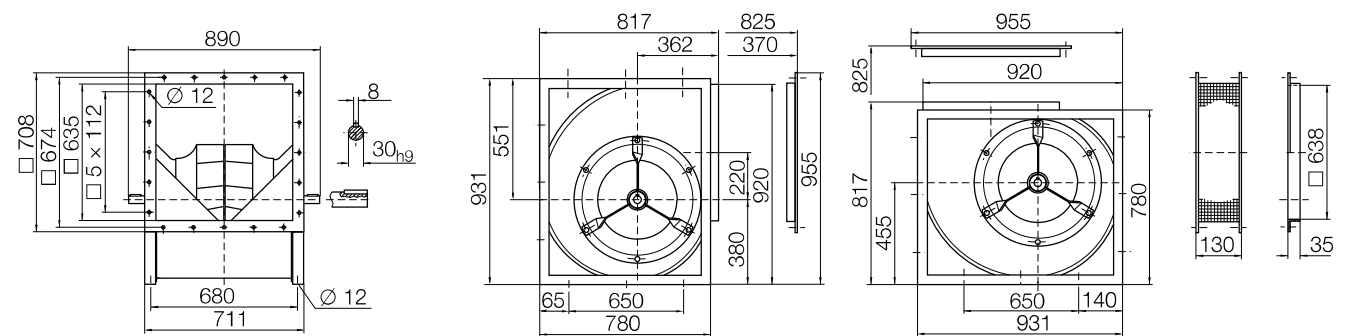
Speed	Duty point	63	125	250	500	1000	2000	4000	8000	Hz
≤1498 1/min	≤0.8 q_{Vopt}	13	7	4	-3	-8	-14	-17	-25	dB
	>0.8-1.2 q_{Vopt}	10	5	3	-2	-7	-13	-17	-25	dB
	>1.2-1.6 q_{Vopt}	7	2	2	-2	-6	-12	-18	-27	dB
	>1.6-2.0 q_{Vopt}	5	1	1	-2	-6	-10	-17	-27	dB
	>2.0 q_{Vopt}	5	1	1	-2	-6	-10	-17	-27	dB
>1498 1/min	≤0.8 q_{Vopt}	11	4	2	0	-7	-12	-17	-24	dB
	>0.8-1.2 q_{Vopt}	7	1	-2	-3	-6	-10	-15	-23	dB
	>1.2-1.6 q_{Vopt}	3	-2	-4	-3	-5	-9	-14	-23	dB
	>1.6-2.0 q_{Vopt}	2	-3	-5	-3	-5	-9	-12	-21	dB
	>2.0 q_{Vopt}	2	-3	-5	-3	-5	-9	-12	-21	dB

RZR_-0500

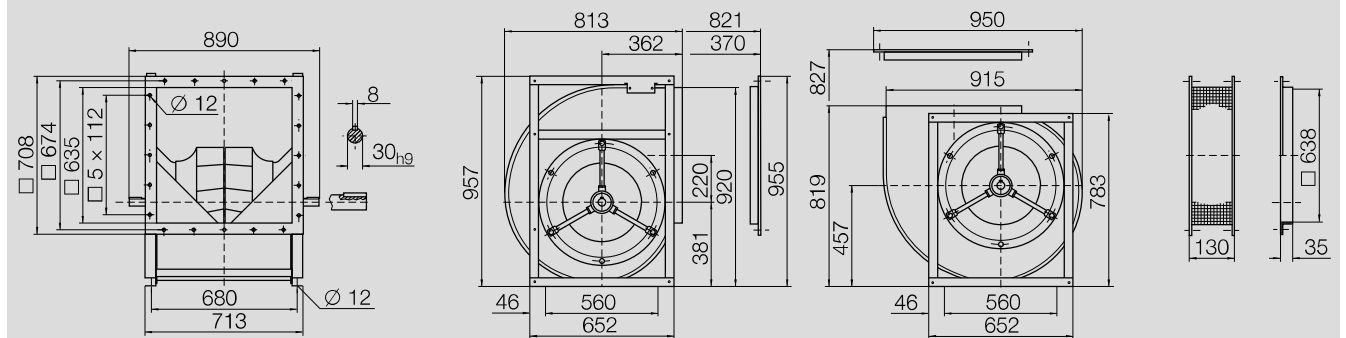
Dimensions in mm, subject to change.
RZR 11-0500 65 kg



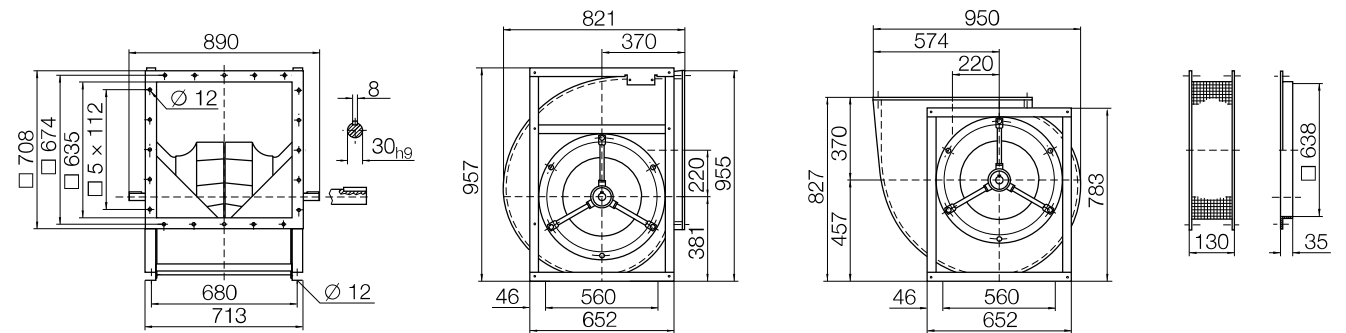
RZR 12-0500 72 kg



RZR 15-0500 94 kg



RZR 19-0500 105 kg



RZR 18-0500 105 kg **RZR 13-0500** 116 kg

